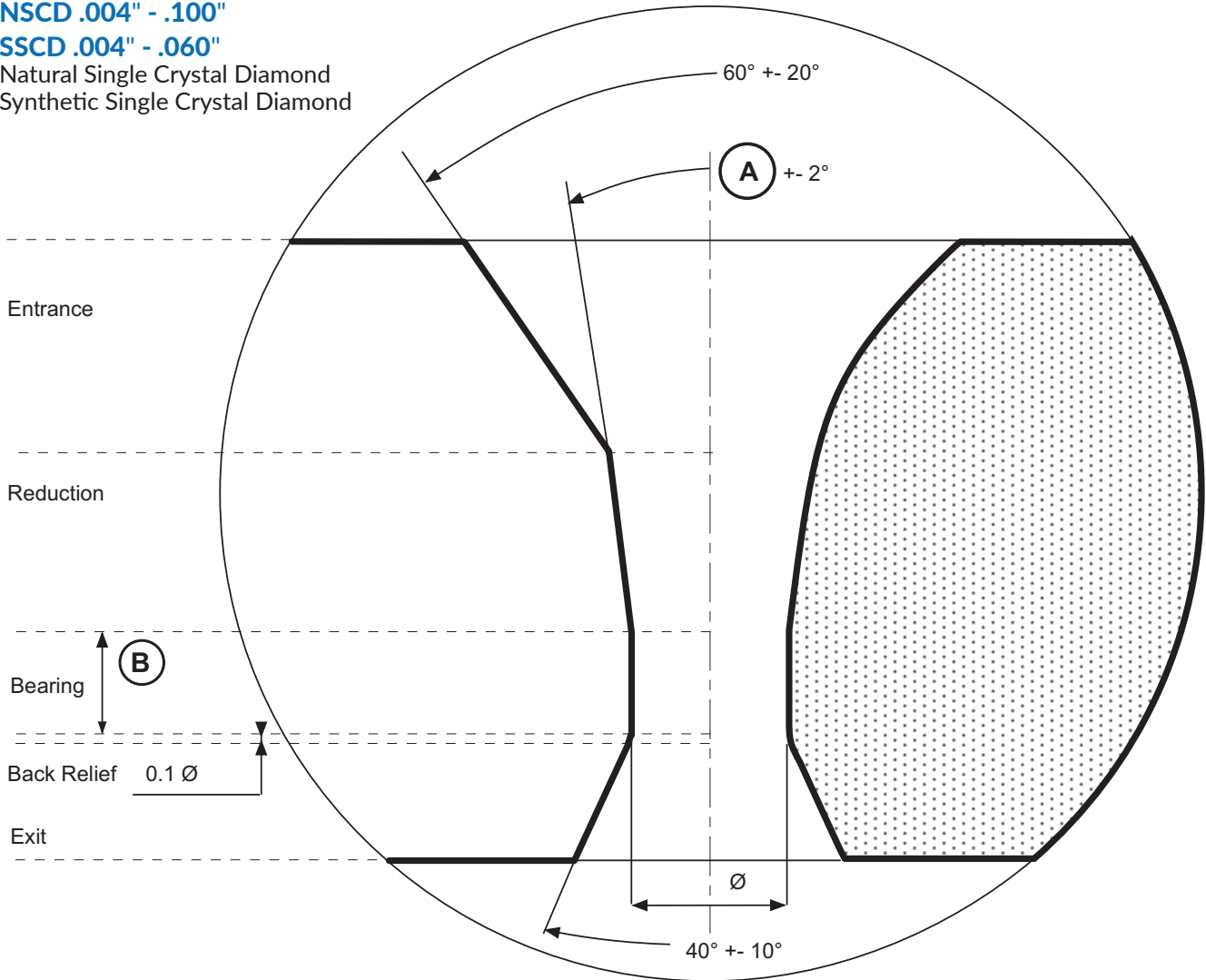


NSCD .004" - .100"

SSCD .004" - .060"

Natural Single Crystal Diamond
Synthetic Single Crystal Diamond



Size Range \varnothing (inch)	Soft Material		Hard Material		Standard Tolerance (inch)	Tightest Tolerance (on request)	Out of Roundness (inch)	Standard Casing D x H (inch)
	A	B	A	B				
.004" ▶ .0092"					.00004"	.00003"	.00003"	1" or 1 1/8" x 4/16" or 5/16"
.0092" ▶ .0204"					.00008"	.00004"	.00004"	1" or 1 1/8" x 4/16" or 5/16"
.0204" ▶ .0410"	18°	30-50% \varnothing	14°	40-60% \varnothing	.000010"	.00006"	.00005"	1" or 1 1/8" x 5/16" or 3/8"
.0410" ▶ .0580"					.000012"	.00008"	.00006"	1" or 1 1/8" x 3/8" or 1/2"
.0580" ▶ .0826"					.000012"	.00008"	.00006"	1" or 1 1/8" x 3/8" or 1/2"
over .0826"					.000014"	.00010"	.00008"	1" or 1 1/8" x 1/2" or 9/16"

These tolerances can only be achieved by using the same measurement methods.

Tightest Tolerance : this level of precision can be reached under special conditions. Please contact BALLOFFET for any further information.

Above data are suggested by BALLOFFET. All other specifications or special requirement must be agreed by Balloffet before placing an order.